

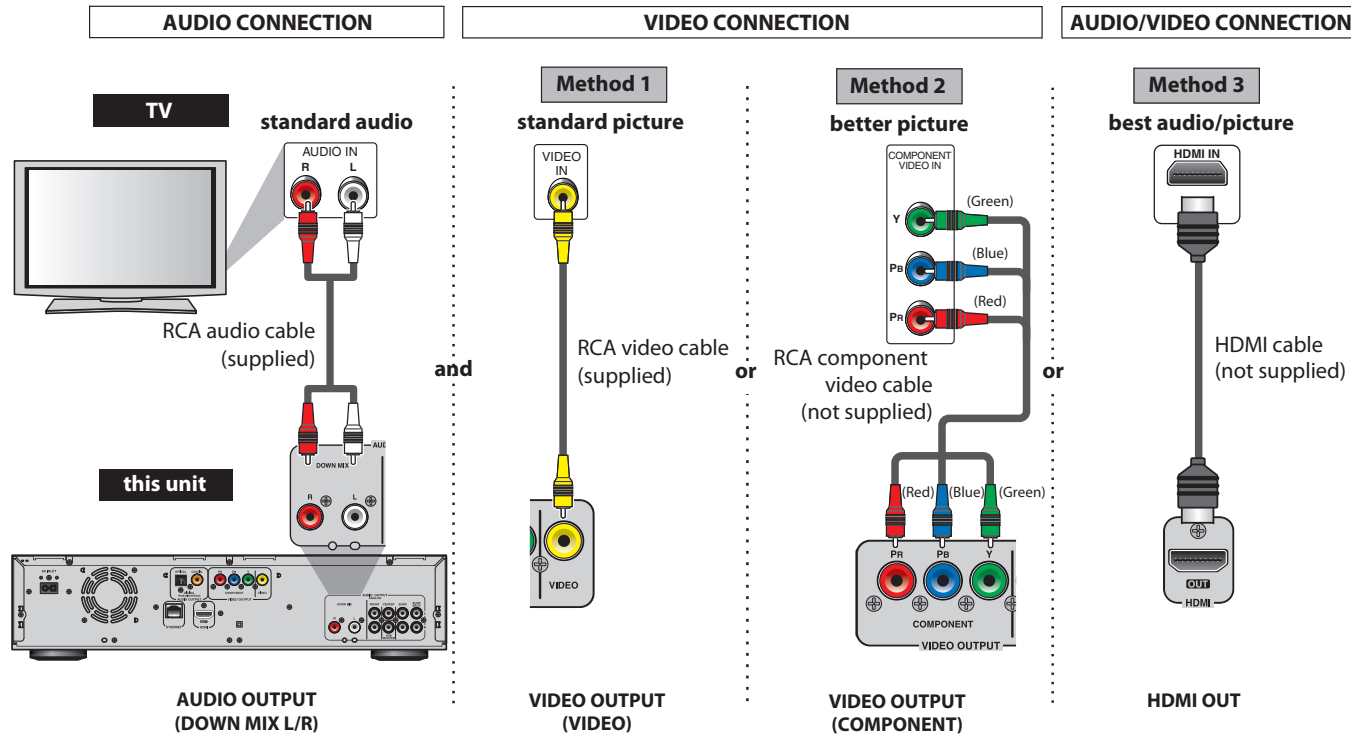
Quick Start Guide



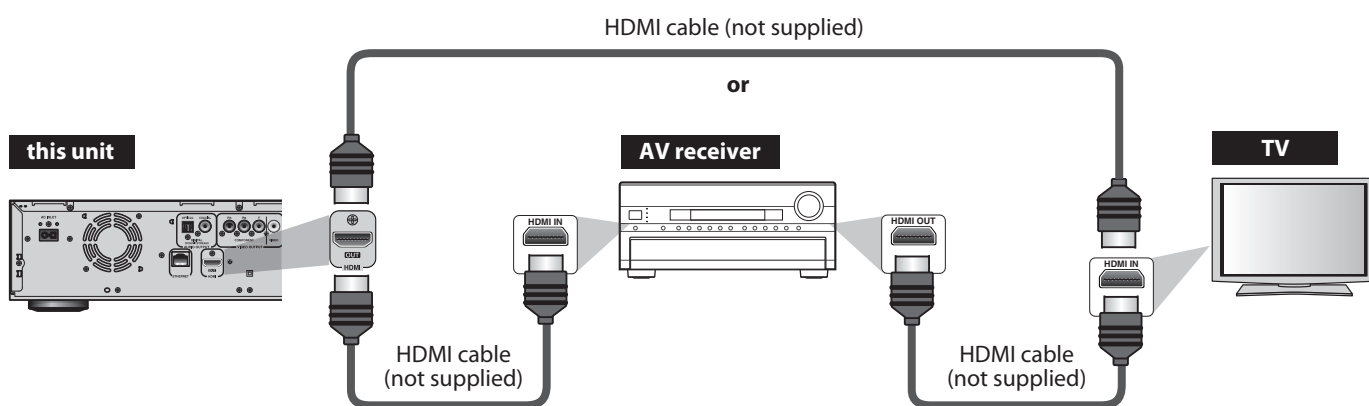
BD-SP807

Basic Connections

Make one of the following connections, depending on the capabilities of your existing device.



HDMI Connection



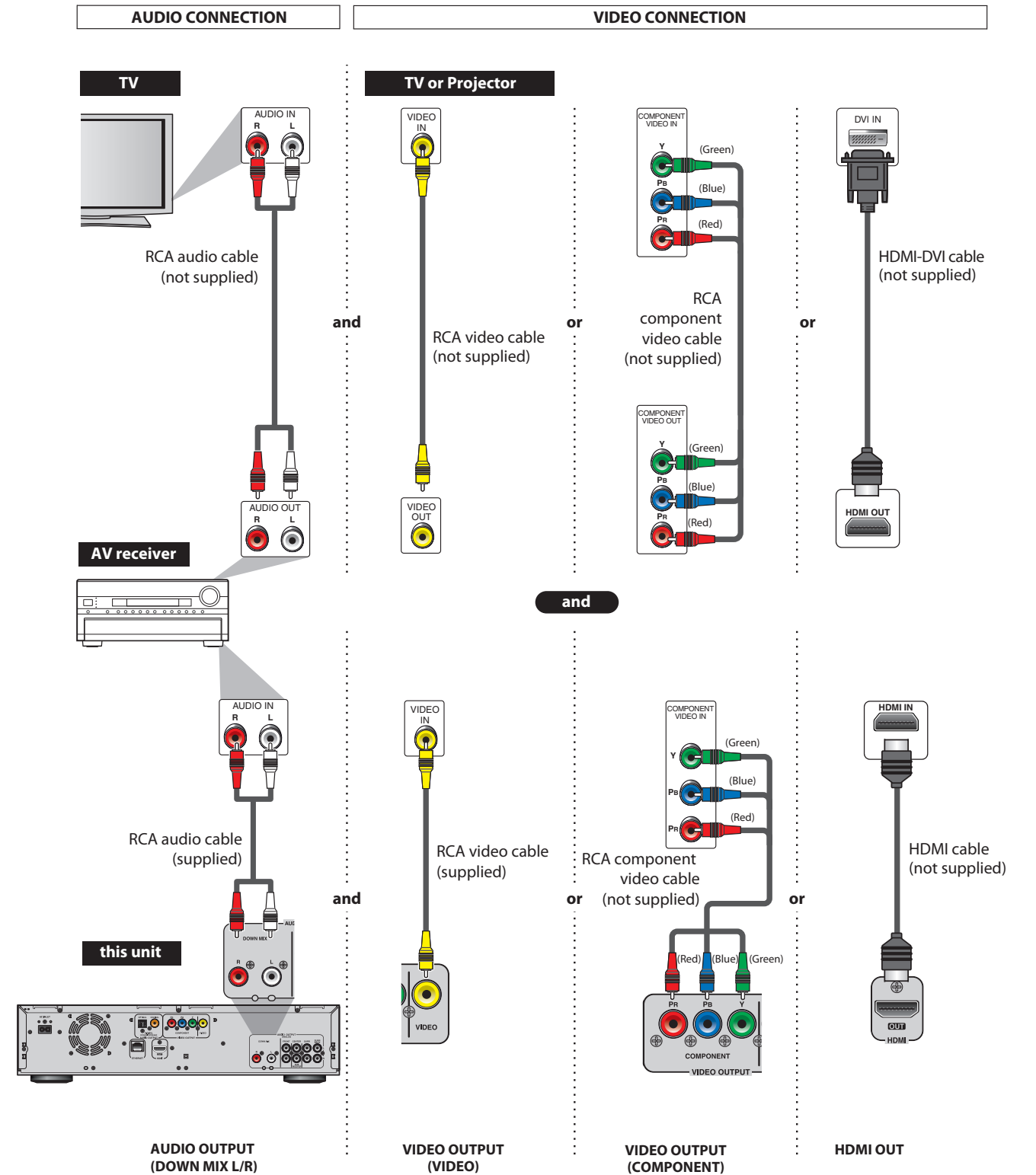
Press **[RESOLUTION]** to change the resolution of the video signal being output from HDMI OUT jack.
(For BD/AVCHD, press **[STOP]** first.)

Note

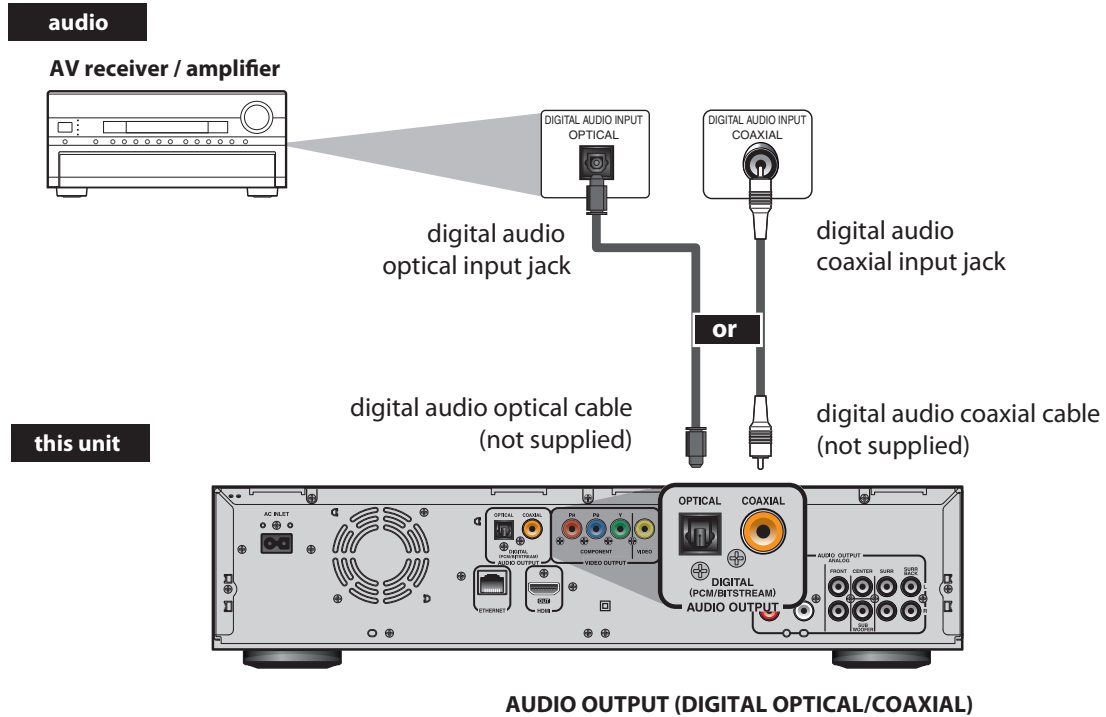
- You cannot select the video resolutions which are not supported by the connected TV.
- In order to get natural and high quality film reproduction of 24-frame film material, use an HDMI cable (High Speed HDMI Cable is recommended) and select "1080p24" if the connected TV is compatible with 1080p24 frame input.
- If no sound is output, check "HDMI Audio Out" setting. (Refer to page 38 in the Instruction Manual.)

Connecting an AV receiver

Make one of the following connections, depending on the capabilities of your existing device.

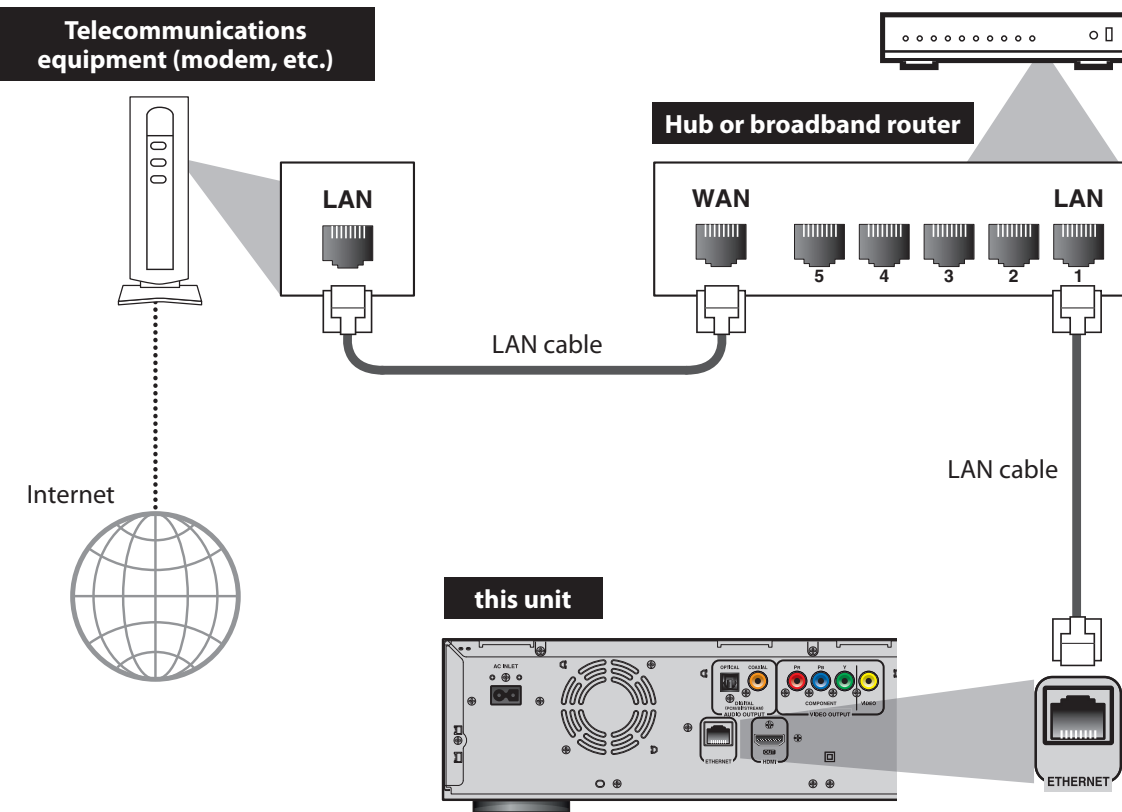


Connecting to a Digital Audio System

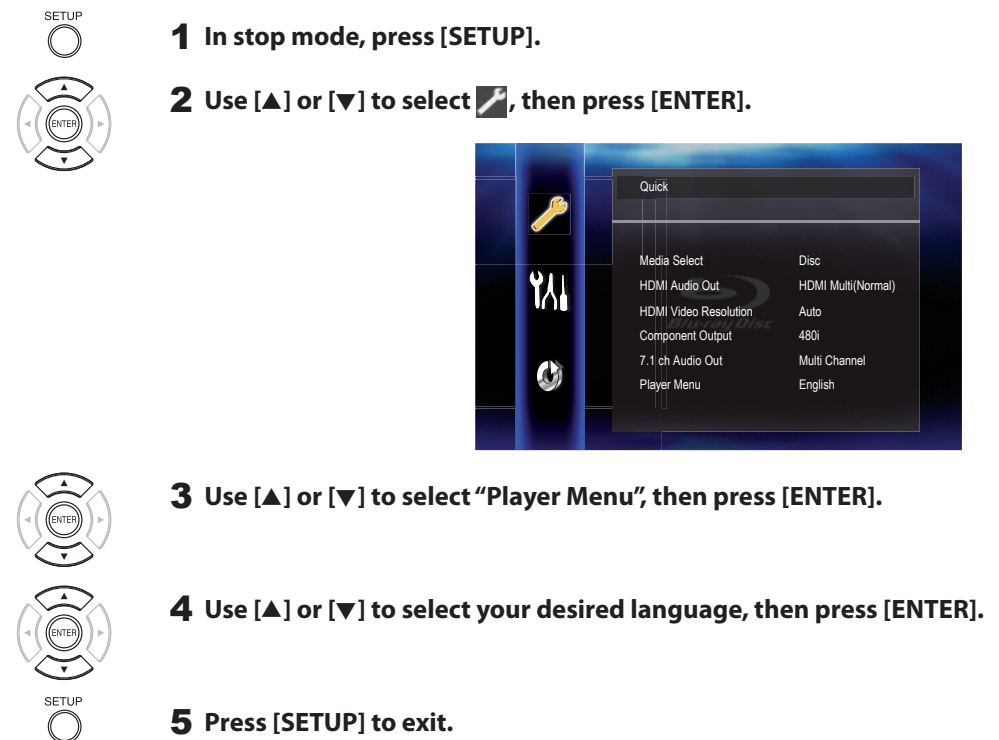


Network Connection with LAN

You can use a disc which offers BD-Live function by connecting the unit to the Internet.
(For BD-Live information, please refer to page 29 in the Instruction Manual)



Selecting the Player Menu Language



Playback

